

Thank you for choosing a

Carolift from BraunAbility!

The following manual is an important part of the product, providing you with information on how to achieve maximum performance and safe operation. Keep the manual in a safe place so that you can refer to it when necessary.

If you have any questions about your adaptation, please contact your installation engineer. If you want to know more about us and our range of car adaptation solutions visit www.braunability.eu.

Once again, thank you for placing your confidence in our products!



Safety

16

Operation

17 Loading and unloading the wheelchair

18 Lower and raise the hoist jib

Care instructions

20

Troubleshooting

21

Introduction for users

23

EN

Index

“Product certificate” at the end of the manual.

Safety



The Carolift is designed to lift a load of a maximum of 40 kg.



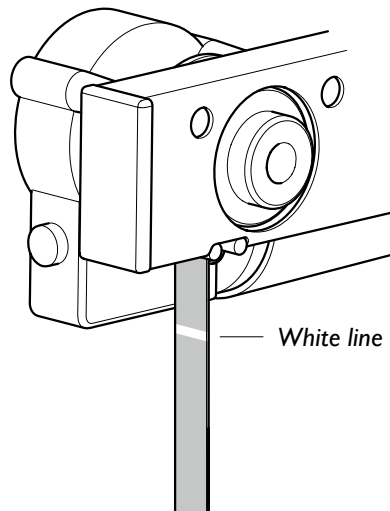
Stop the ejection of the lifting strap when the white line becomes visible, refer to the illustration on the right. Otherwise, the tape is inserted backwards and can become tangled.



Ensure that the lift band does not twist when being fed in.



Anchor the wheelchair during travel.

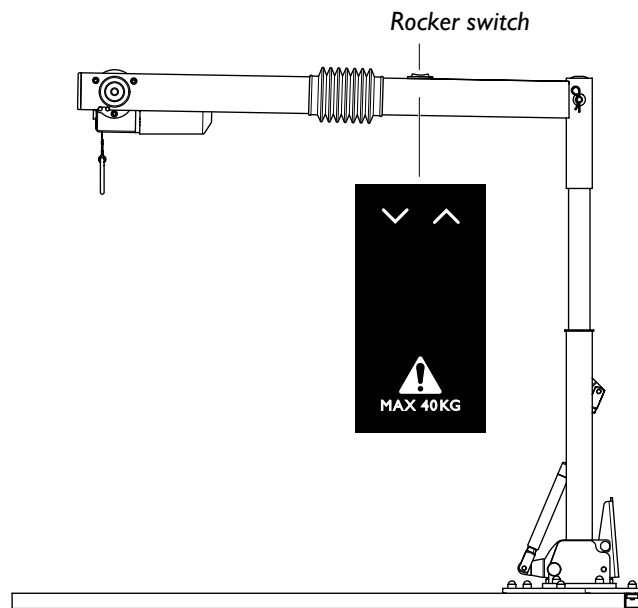


Lifting strap's total length, 120 cm

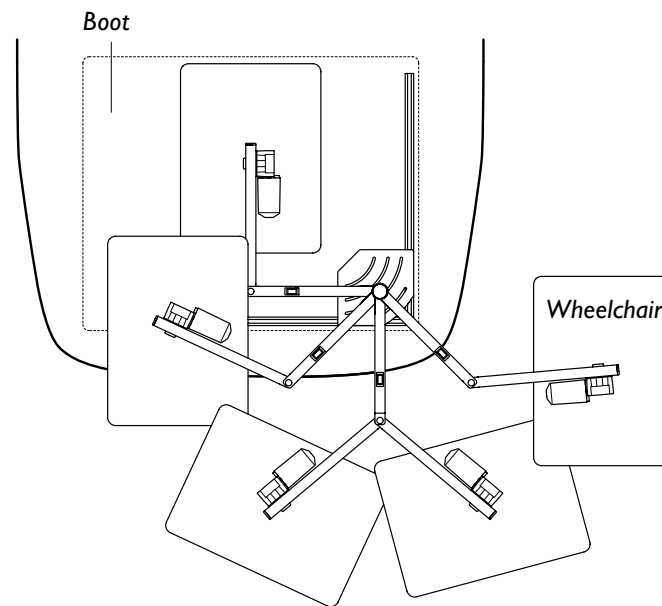
Operation

Loading and unloading the wheelchair

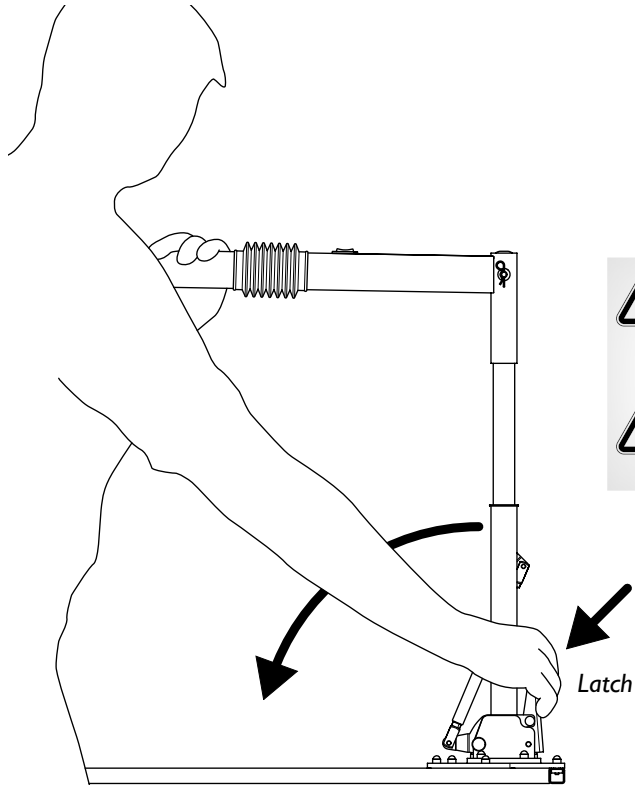
- 1 Press the rocker switch on the top of the jib to run the lifting strap down or up. Ensure that the carabiner, or alternative lifting device, is well anchored in the wheelchair before lifting.



- 2 Hold the rocker switch depressed. Guide the wheelchair with your hand to the desired position to minimize the risk of material damage.



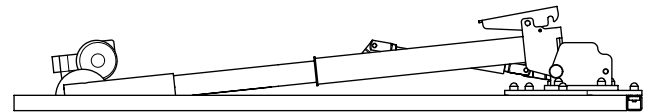
Lower and raise the hoist jib

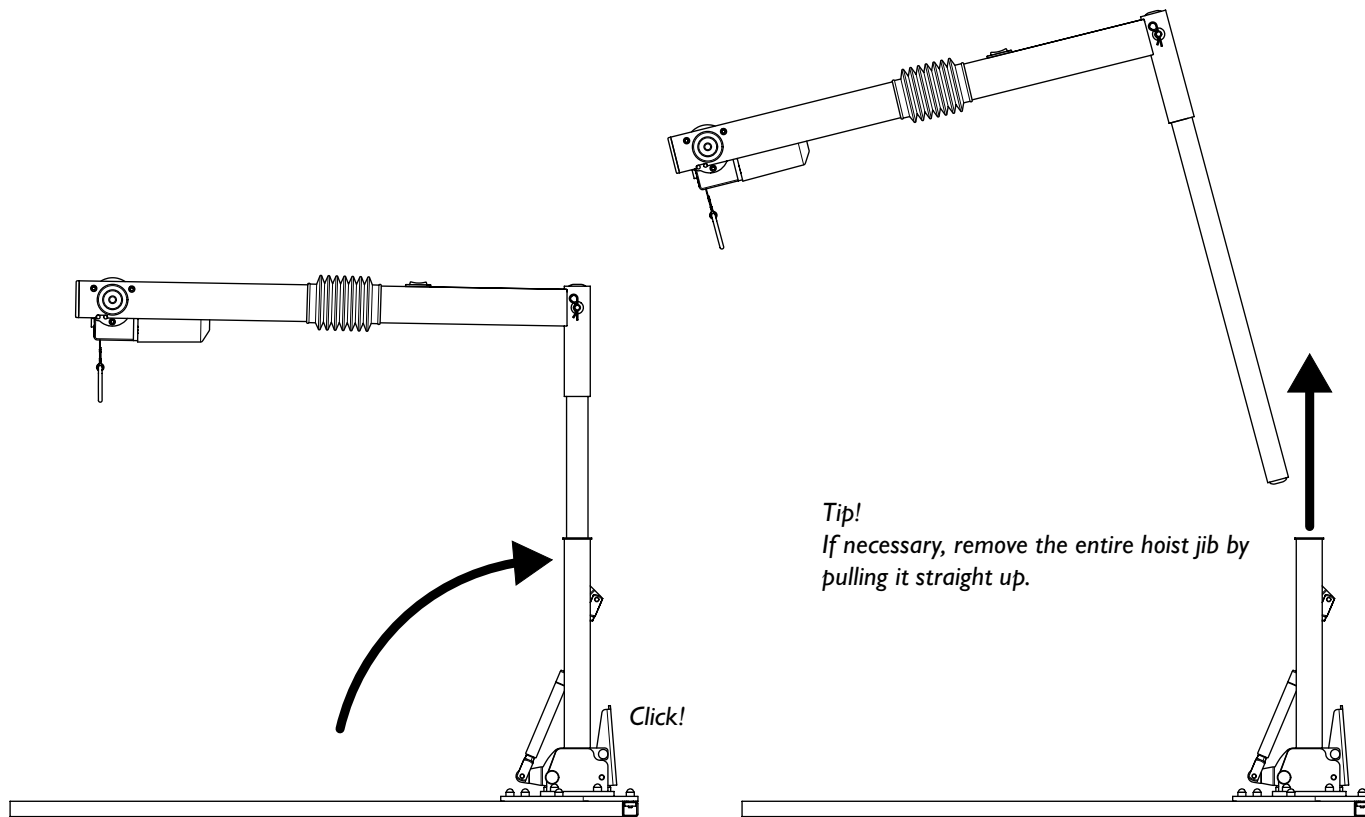


Press down on the latch. Hold the hoist jib when the latch loosens so that it does not fall uncontrollably to the ground.



The hoist jib should always be in the lowered position during travel.





Care instructions

- As required.....
 - Use a vacuum cleaner and a slightly dampened cloth to remove dust and dirt.
 - Replace the fuse (15A). Depending on the installation, the fuse holder may be in close proximity to the vehicle's battery or active plug/socket, or in together with the vehicle's other fuses.
- When the Carolift is used..... Check that the lifting strap is intact. Replace the lifting strap if it has been damaged or has visible damage. Change the lifting strap every four years regardless of its condition.
- 1 time/year Contact your installation technician for booking service.

Always contact your installation technician when dismantling.



Any work, adjustments or repairs to a Carolift may only be carried out by trained installation technicians.

Product data

- Lifting capacity.....40 kg
- Operating voltage..... 12V
- Fuse..... 15A

Troubleshooting

Carolift is not activated when you press the rocker switch.....

- The lifting strap has become tangled and tripped the fuse. Loosen the motor and ensure the lifting strap is evenly rolled onto the spool. Replace the fuse.
- An end position is reached. Activate reverse operation.
- The plug of the electrical outlet has come loose (applies only when installing this type). Re-insert the plug.
- The vehicle battery is discharged. Charge the battery.
- The fuse has tripped due to a short circuit. Contact the workshop.

Carolift is unusually sluggish in operation.

The vehicle battery is discharged. Charge the battery.
In case of emergency, try to start the vehicle and let the engine run while the crane is operated.

Please contact your installation engineer if you require further assistance or need to ask questions about warranty. We recommend keeping the following information to hand at all times /

Contact details for the installation engineer /

Model /

Serial number /

Year of manufacture /

Date of purchase /

Notes /

Introduction for users

BraunAbility Europe AB would like you, as a user, to feel secure and comfortable with your new product. For that reason, it is your installer's duty to go through the following with you /

Safety
Operation

If any questions about the product should come up later on, you are of course very welcome to contact your installation engineer again.

The above chapters have been gone through /

Date /

Name of dealer /

Signature, installation engineer

Signature, user