

Thank you for choosing a

Turny Evo from BraunAbility!

The following manual is an important part of the product, providing you with information on how to achieve maximum performance and safe operation. Keep the manual in a safe place so that you can refer to it when necessary.

If you have any questions about your adaptation, please contact your installation engineer. If you want to know more about us and our range of car adaptation solutions visit www.braunability.eu.

Once again, thank you for placing your confidence in our products!



Operation

- 28 Presentation
- 29 Hand held control
- 30 Operating Turny Evo

Emergency-mode operation

- 32 Using the hand held control
- 35 Using the emergency operation kit

Care instructions

40

Troubleshooting

41

Technical specification

46

Introduction for users

47

“Product certificate” at the end of the manual.

Operation

Presentation

Turny Evo has two basic functions: swivel the seat in/out and forwards/backwards movement for comfort. Note that it is not possible to swivel the seat out when the door is closed, nor is it possible to adjust comfort once swivel out has begun.

The path that Turny Evo follows is preprogrammed by your installation technician. In the case of faults or deviations from the preprogrammed path, the seat will stop and cannot be manoeuvred normally. In this event, Turny Evo loses its position and must be reset through an emergency operation. Should this occur, follow the instructions for **“Emergency operation by hand held control”**. Once this is completed, Turny Evo will function as normal again. Contact your installation technician if emergency operation must be performed often.

In the case of certain electrical faults, emergency operation with the hand held control will not work. Should this occur, follow the instructions for **“Emergency operation with the emergency operation kit”**. Always contact your installation technician after a manual emergency operation to remedy the fault before using Turny Evo again.

Hand held control

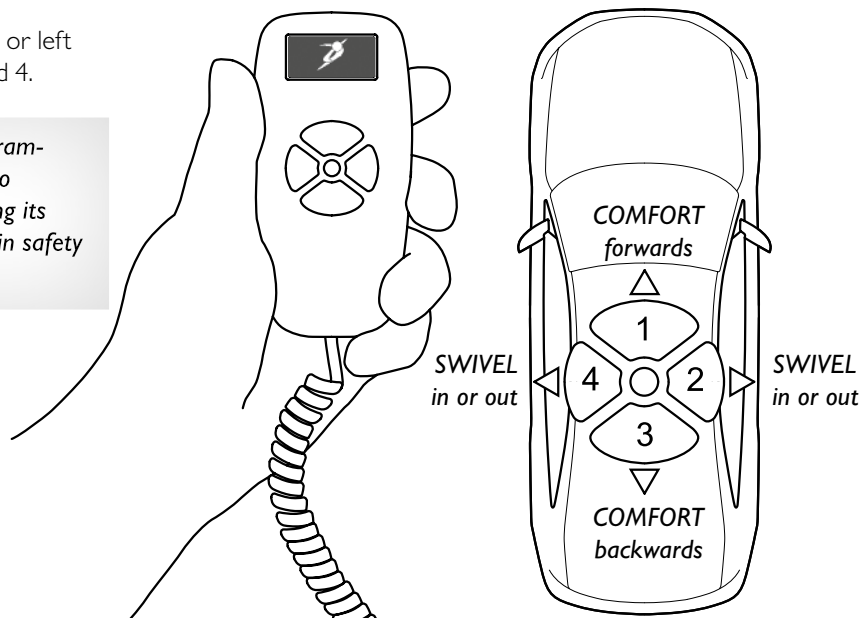
Optional function buttons light up GREEN.

Hold the selected button down. When the seat reaches its preprogrammed end position, it will stop automatically. To stop movement, release the button.

Turny Evo's location in the vehicle on the right or left side determines the functions of buttons 2 and 4.



During emergency operation or programming, all the buttons will flash RED to indicate that Turny Evo is not following its preprogrammed path and that certain safety functions are disconnected.



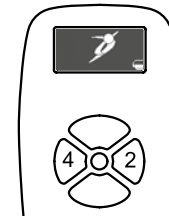
Operating Turny Evo



A door icon is displayed on the right of the screen when the door is open.



Swivel in and out



Turny Evo will follow its preprogrammed path.



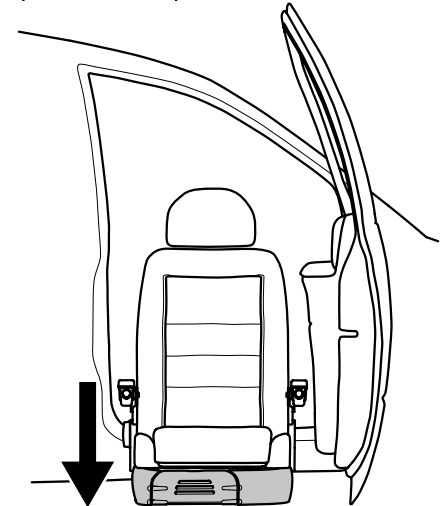
Make sure the vehicle is standing level and that the park brake is activated.



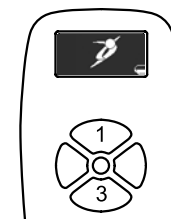
Make sure that nothing is at risk of catching or being pinched. Note that there is a risk of pinching despite the built-in safety functions.



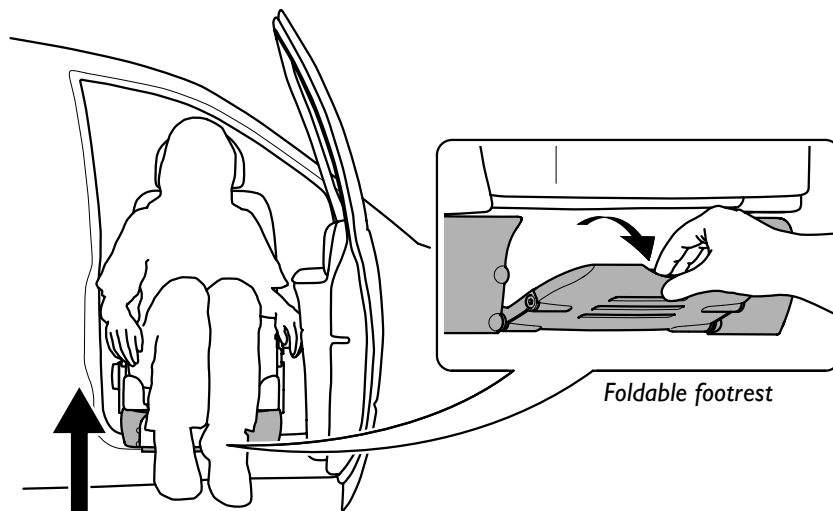
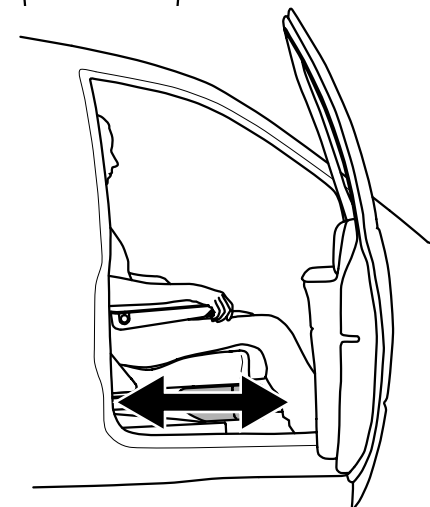
Recline the backrest to minimize the risk of bumping your head in the door opening. If possible, use the footrest to facilitate the operation.



Adjusting comfort



This function will also work while driving with a closed door.



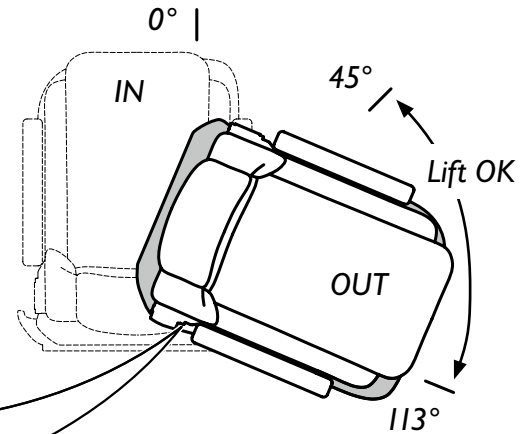
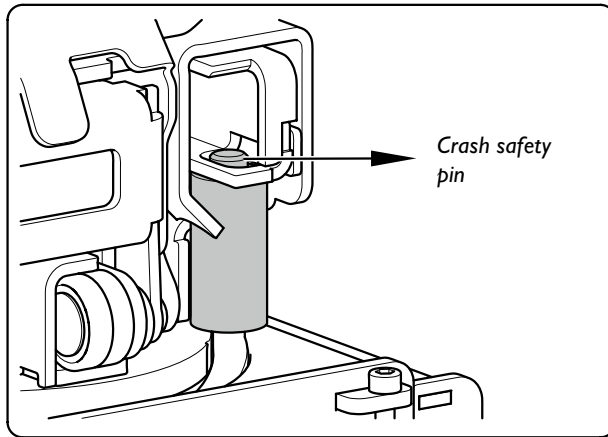
Foldable footrest

Emergency-mode operation

Using the hand held control



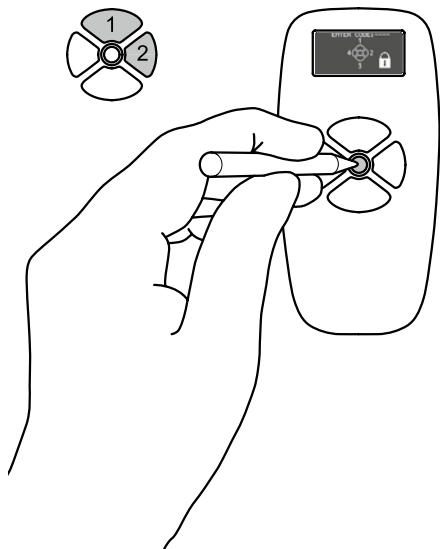
A crash safety pin will lock the seat in the correct position when the lift is performed correctly. If the lift is performed when the seat is swivelled out 0-45 degrees this causes damage to the unit and affects crash safety.



The illustration on the left shows a fully swivelled in Turny Evo where the crash safety pin has locked the seat in the correct position.

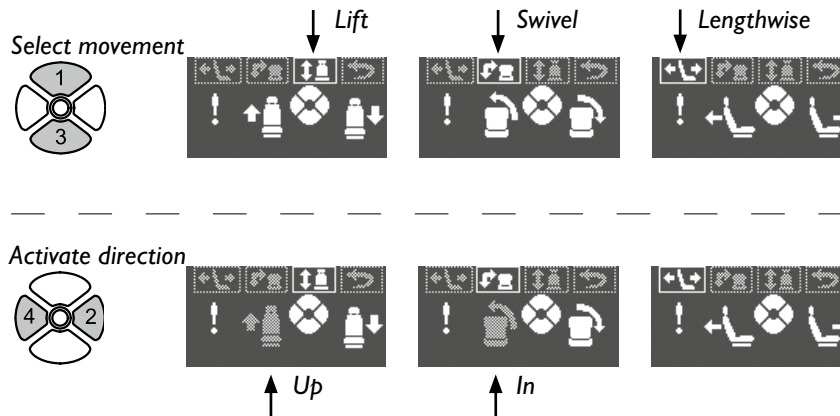
1 Activate the emergency operating menu

Hold down the yellow button until the picture "enter code" is displayed. Then enter the code, 1, 1, 2.



2 Swivel the seat in

The seat must be lifted all the way up and swiveld all the way in. Switch between movements and directions until the "up" and "in" symbols have greyed out. Note that the symbol for "in" is laterally inverse in a left-side Turny Evo.



During emergency operation all the buttons will flash RED to indicate that Turny Evo is not following its preprogrammed path and that certain safety functions are disconnected.

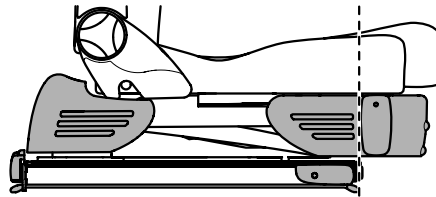
3 Exit the emergency-mode operation menu



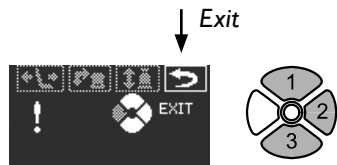
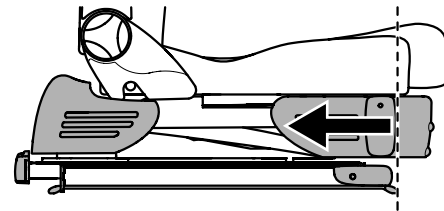
Press 1 or 3 and select **“lengthwise”**. Run the seat to the specified starting position by pressing 2 or 4 for **“forwards”** or **“backwards”**.

Press 4 for **“backwards”**. Run the seat backwards until the **“exit”** symbol lights up. If the seat stops before “exit” lights up you can override the system by forcing the seat backwards by holding in button 4 for “backwards” for four seconds. If the **“exit”** does not light up step 2 may have to be repeated.

Starting position



Run backwards



Press 1 or 3 and select **“exit”**.

Press 2 to confirm **“exit”**. Turny Evo is now back in its normal operating mode.



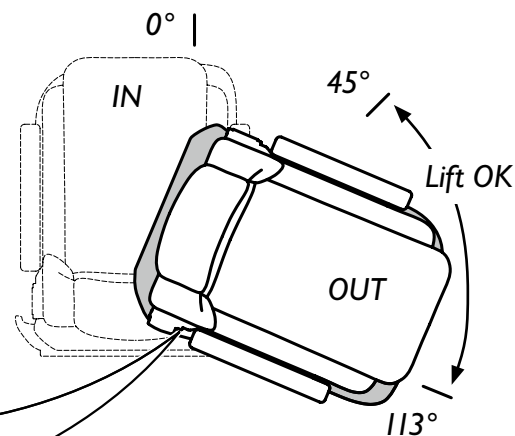
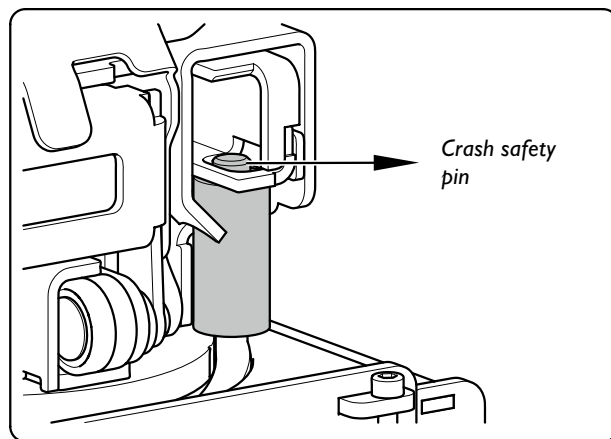
If this screen is displayed the criteria to exit the system has not been achieved. Go back and do 9.1 again and then step 9.2.

Press 1 or 3 to select the main menu at the top.

Using the emergency operation kit



A crash safety pin will lock the seat in the correct position when the lift is performed correctly. If the lift is performed when the seat is swivelled out 0-45 degrees this causes damage to the unit and affects crash safety. Always contact your installation technician after a manual emergency operation to remedy the fault before using Turny Evo again.



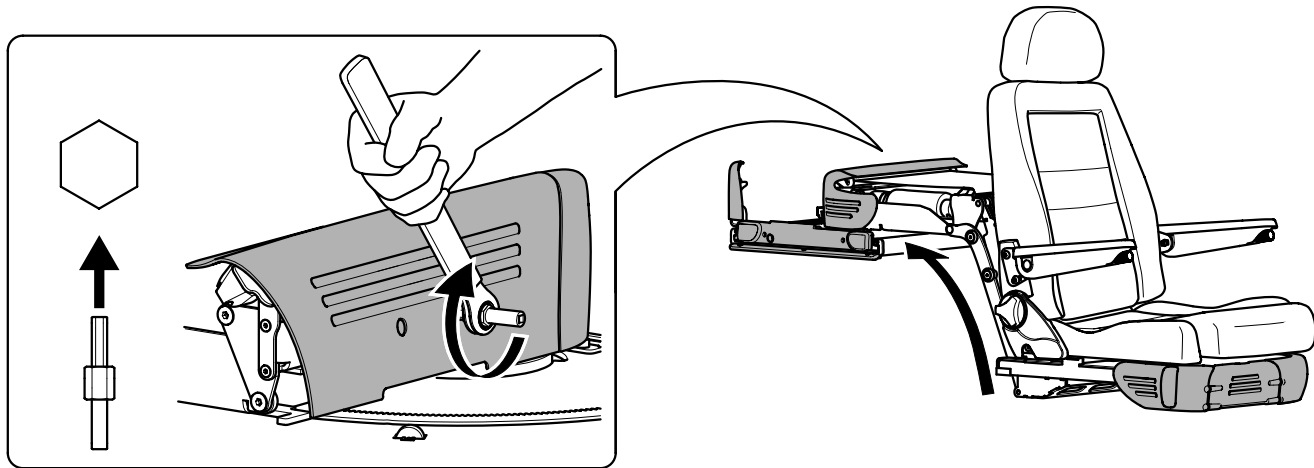
The illustration on the left shows a fully swivelled in Turny Evo where the crash safety pin has locked the seat in the correct position.

Swivel the seat in

The seat must be lifted all the way up and swiveld all the way in. Begin by releasing the turning mechanism if these manoeuvres must be combined and cannot be done separately. Adjust lengthwise as necessary. For swivel and lengthwise movement, see overleaf.

LIFT / Alt. 1 - Easy but slow

Insert the socket in the hole in the upper rear cover.
Crank the ratchet clockwise to raise the seat.

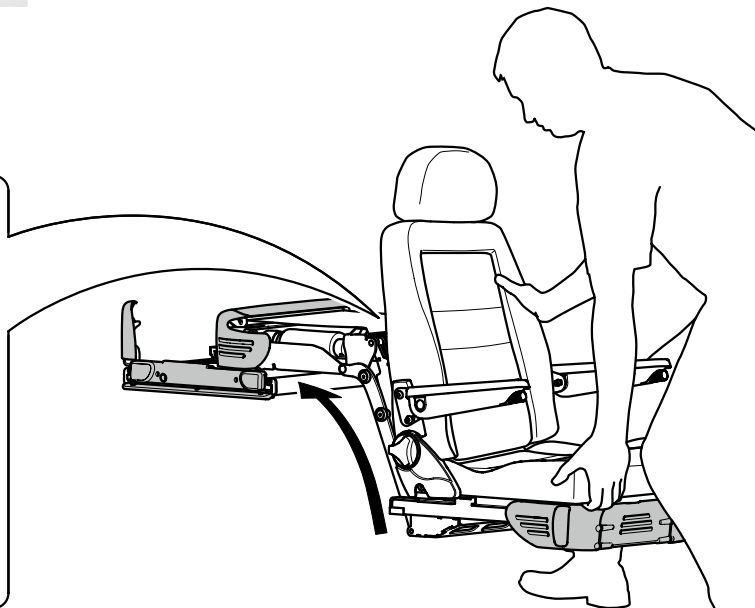
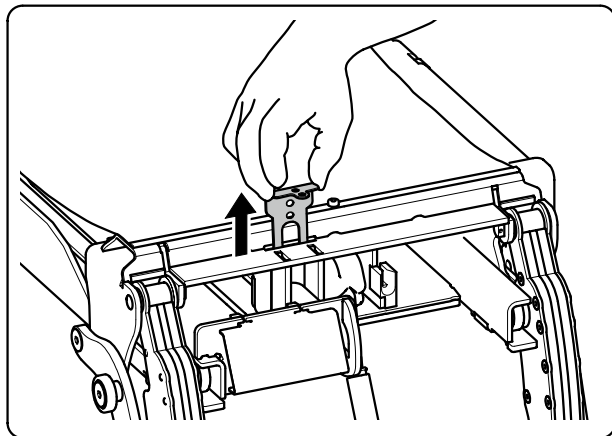




Note that the seat is not locked in this position but can move out again.

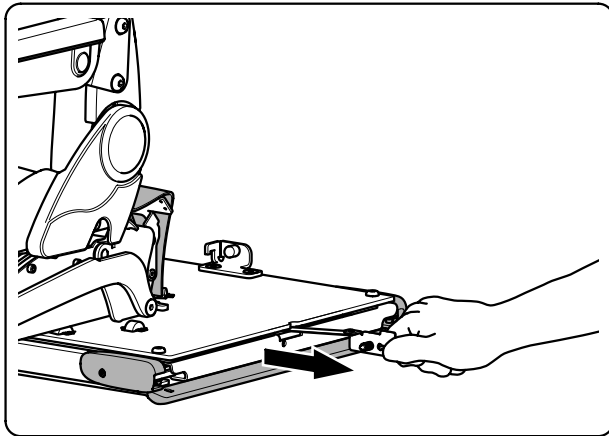
LIFT / Alt. 2 - Strenuous but fast

Remove the lock plate in front of the safety curtain. Raise the seat manually. Keep the lock plate for the visit to the workshop.



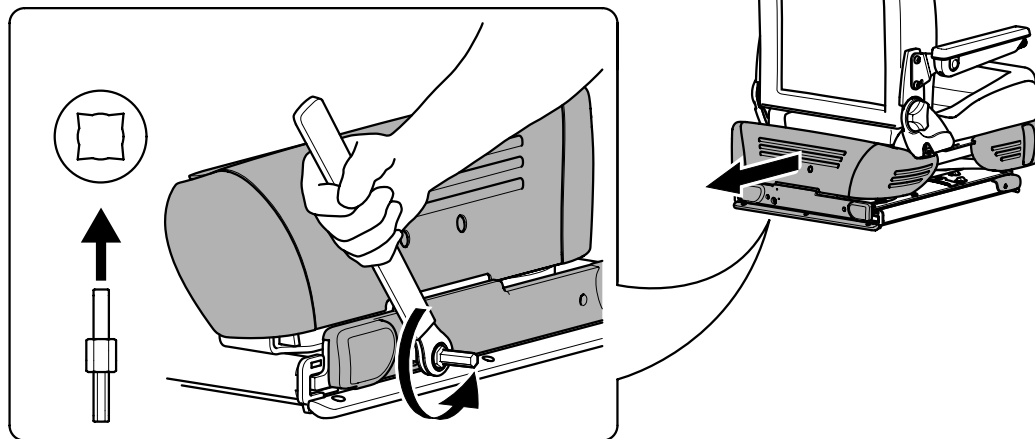
SWIVEL

Pull out the lock plate at the front of the base plate to release the turning mechanism. Swivel the seat all the way in and then slide the lock plate back to lock the seat in position.



LENGTHWISE ADJUSTMENT

Insert the socket in the hole in the lower rear cover. Crank the ratchet counterclockwise to move the seat backwards.



Care instructions

As necessary.....

Carefully vacuum clean Turny Evo. Use no liquids.

- The product documentation must always be taken along to vehicle inspections.
- Always contact your installation technician when dismantling.



Any maintenance, modifications or repairs to the Turny Evo may only be performed by a qualified installation technician.

Troubleshooting

Hand held control /

- does not light up

- The hand held control must be in **“sleep mode”**,. Open the door.
- Check that the wiring to the hand held control is connected and undamaged.
- Check that the fuse is intact and that the car battery is charged.
- Follow the instructions for **“Emergency operation using the emergency kit”**.

- shows warning/fault message.....

- Identify the message on the following pages and perform the recommended action.
- Follow the instructions for **“Emergency operation by hand held control”**.
- Follow the instructions for **“Emergency operation using the emergency kit”**.

Unusual noises heard during operation.....

- Do not use the Turny Evo. Contact your installation technician for an overhaul.

Warnings/error messages



The backrest is reclined too far. Lifting movement out is stopped. Lift up is still possible.



Incomplete seat swiveld-in. Turny Evo is not in a crash-safe position. The symbol is laterally inverse on a left-side Turny Evo.



Low battery charge.



1. Hand held control spiral-haped cable break.
2. Connection problems between the hand held control and the circuit board.



1. Swivel motor blocked.
2. Swivel motor pulse generator fault.



1. Lift motor blocked.
2. Lift motor pulse generator fault.



1. Lengthwise adjustment motor blocked.
2. Lengthwise adjustment motor pulse generator fault.

Recommended action

Raise the backrest. Raise the seat again if it is difficult to get to the knob.

Swivel the seat all the way in.

Charge the vehicle battery.

1. Replace the cable.
2. Contact your installation technician.

1. Check that there are no obstructions.
2. Follow the emergency operation instructions. Contact your installation technician if the fault persists.

Warnings/error messages



Swivel motor pinch protection activated.



Lift motor pinch protection activated.



Lengthwise adjustment motor pinch protection activated.



Cable break or faulty limit switch sender for the swivel motor.



Cable break or faulty limit switch sender for the lift motor.



Cable break or faulty limit switch sender for the lengthwise adjustment motor.

Recommended action

When encountering an obstruction, Turny Evo will stop and back a little. Remove the obstruction and try again.

Follow the emergency operation instructions. Contact your installation technician if the fault persists.

Warnings/error messages



Swivel motor overloaded.



Lift motor overloaded.



Lengthwise adjustment motor overloaded



Swivel motor switch activated in wrong position.



Lift motor switch activated in wrong position.



Lengthwise adjustment motor switch activated in wrong position.



Turny Evo has lost its position.

Tip! Ensure programming has been completed correctly, refer to the **“Program path of movement”** heading in Chapter 10.2. (*Installation manual*).

Recommended action

Make sure there are no obstructions and try again with an empty seat. Contact your installation technician if the fault persists.

Follow the **“Emergency operation with hand held control”** instructions to reset Turny Evo's start position. Contact your installation technician if the fault persists.

Follow the **“Emergency operation with hand held control”** instructions to reset Turny Evo's start position. Contact your installation technician if the fault persists.

Please contact your installation engineer if you require further assistance or need to ask questions about warranty. We recommend keeping the following information to hand at all times /

Contact details for the installation engineer /

Model /

Serial number /

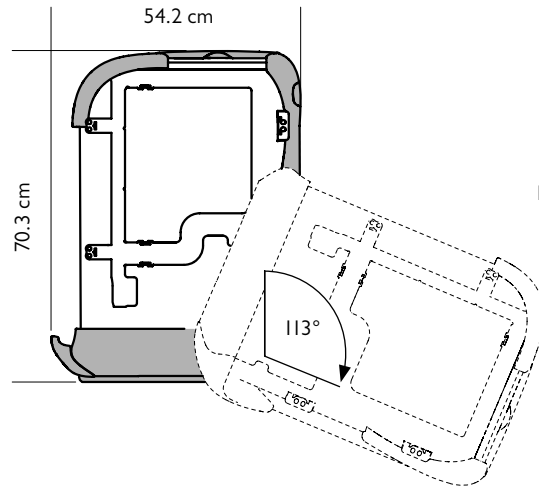
Year of manufacture /

Date of purchase /

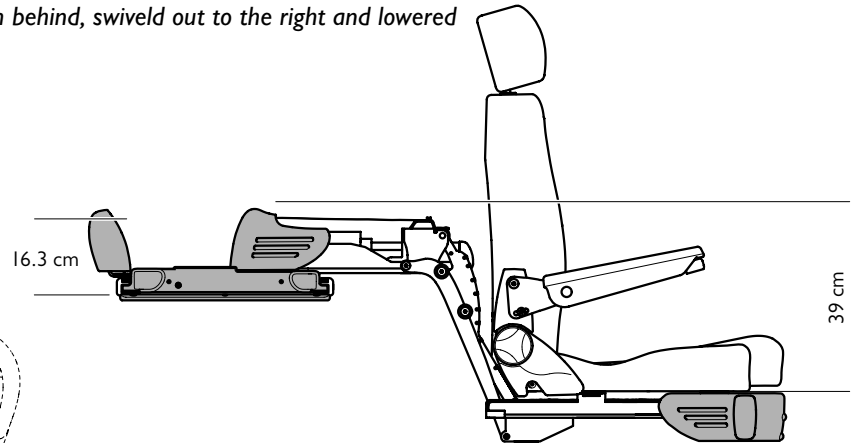
Notes /

Technical specification

From above, swiveld out to the right



From behind, swiveld out to the right and lowered



Length with upfolded foot rest.....	70.3 cm
Width.....	54.2 cm
Installation height, up to seat attachment.....	16.3 cm
Swivel increments.....	0-113°
Lengthwise movement.....	41 cm
Lift height.....	39 cm

Product weight.....	84 kg
Weight capacity*.....	180 kg
Max power consumption.....	14A
Power consumption, at rest.....	≈0,7 mA
Fuse.....	15A
Power requirements.....	12V

* *Weight capacity refers to the total weight of the seat, its accessories and the user.*

Introduction for users

BraunAbility Europe AB would like you, as a user, to feel secure and comfortable with your new product. For that reason, it is your installer's duty to go through the following with you /

Safety
Operation
Emergency-mode operation

If any questions about the product should come up later on, you are of course very welcome to contact your installation engineer again.

The above chapters have been gone through /

Date /

Name of dealer /

Signature, installation engineer

Signature, user